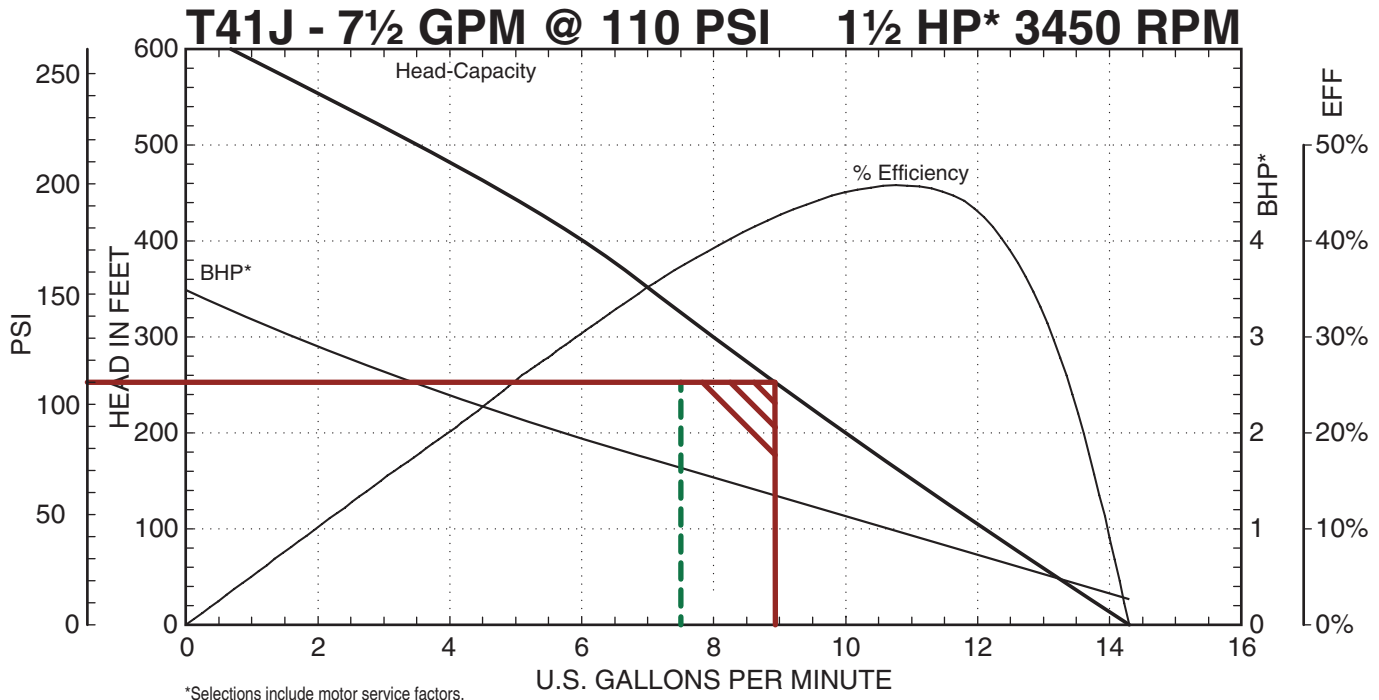
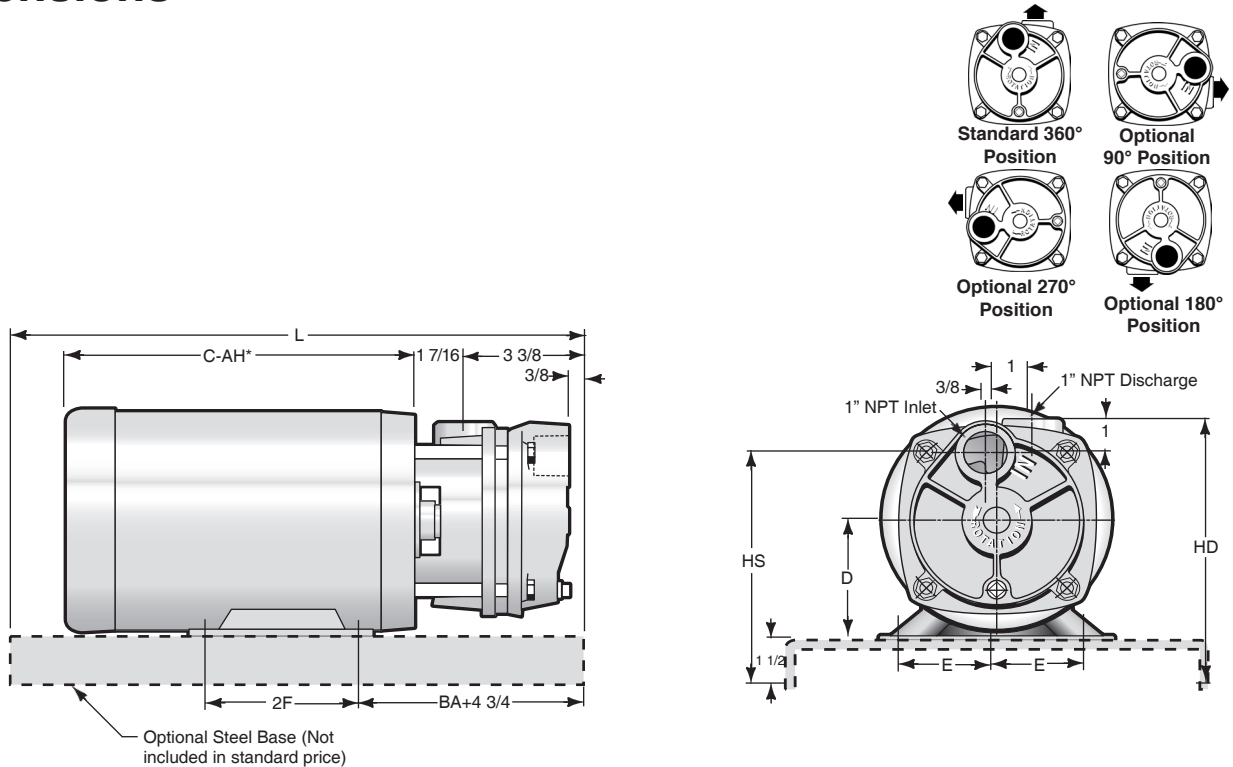


T41J Jockey Pump Submittal Sheet

Performance Curve



Dimensions



1 1/2 Horsepower Motor Dimensions

FRAME	D	BA+4 3/4	2F	E	H	HS	HD	L
56 C	3 1/2	7 3/8	3	2 7/16	5/16 - 18	7	8	18

NOTES

All dimensions in inches. May vary ± ¼ inches.
 Not for construction purposes unless certified.
 *See motor dimensions for "C-AH" dimension
 (Varies depending on motor enclosure).

© Copyright 2024 MTH Tool Company, Inc.



401 West Main Street • Plano, IL 60545-1436
 Phone: 630-552-4115 • Fax: 630-552-3688
 Email: SALES@MTHPUMPS.COM
<http://WWW.MTHPUMPS.COM>

Dated April 2024

Horizontal Close Coupled Design Specifications

The contractor shall furnish (and install as shown on the plans) an MTH T41 Series horizontal close coupled regenerative turbine type pump model T41J size 1" by 1" of bronze fitted construction. Each pump shall have a capacity of ___ GPM when operating at a total PSI of _____. Suction pressure will be ___ feet with a liquid temperature of ___°F.

The pump is to be furnished with a mechanical seal with stainless steel metal parts, Buna elastomers, ceramic seat and carbon washer. A stainless steel shaft or a shaft sleeve shall be furnished in pumps up to three horsepower and a 316 stainless steel shaft in pumps five horsepower and larger.

The pump casing shall be vertically split two piece, end suction and top discharge with water passageways accurately machined into each piece. The impeller shall be hydraulically self centering and no external adjustment shall be necessary.

The pump shall be close coupled to a standard NEMA "C" face 1 1/2 HP ___ phase ___ Hertz ___ voltage ___ RPM horizontal open drip proof motor. The motor shall be sized to prevent overloading at the highest head condition listed in the specifications.

1-Phase Bills of Materials

Item ID: 8C-T410JBFSCXSAXX-C511AD		
Item Description: T410J BF T21 Cer C/C 3/4 HP 1/60/115/208-230V 3450 RPM ODP Motor		
Item Number	Description	Qty Needed
12-1068-01-457	Type 21 Rotating Element .875" Buna Seal	1
1-2218-0J-543	T41 J Motor Bracket, Teflon Coated	1
2-2208-0J-543	T41 J Cover, Teflon Coated	1
17-1390-01-181	Sleeve, Shaft, Brass	1
15-1168-01-104	Setscrew, 18-8 SS	2
125-1282-01-592	Seal Seat, 0.875 Ceramic, O-Ring Style	1
22-4265-01-101	Plug, 1/8 SAE	1
135-1179-01-457	O-ring, -218 Buna Included w/ Seat	1
7-3970-01-457	O Ring, -902 Buna (Drain Plug)	1
7-2479-01-457	O Ring, -159 Buna	1
FRC-1246-51-ODP	Motor, 56C-Face, DLT Electric, 1.5 Hp, 1 Phase, 2 Poles, ODP CC	1
19-1997-01-080	Machine Bolt, 3/8-16 + 4"L	4
23-1487-01-080	Key, Sleeve	1
11-2228-0J-206	Impeller, T41J Bronze	1
23-1022-01-104	Drive Key, 316SS	1
14-1049-01-080	Drive Collar	1

1-Phase Motor Nameplate

60 HZ		50 HZ		Blank	
HP	1 1/2	1	FR	56	PH 1
RPM	3450	2875	NAME	40	INS B
V	115/208-230	110/220	ENC	D P	
FLA	18.0/9.0	20.0/10.0	THE	CONT	
SF	13	1.0	ISO	K	
SFA	23.0/11.5	Blank	DATE		

TYPE THERMALLY PROTECTED

HIGH VOLTAGE

LOW VOLTAGE

TO REVERSE, INTERCHANGE ORANGE (5) AND RED (8).

WARNING - Always disconnect motor from power supply before servicing.

THERMALLY PROTECTED AUTOMATIC RESET - Motor will restart without warning after protector trips. Do not install this motor on equipment where an automatic start up could result in injury.

GROUNDING - Fatal electrical shock may result if motor frame and adjacent metal are not grounded in compliance with electrical code.

241636 E49787
Made in USA

3-Phase Bills of Materials

Item ID: 8C-T410JBFSCXSAXX-C519ED		
Item Description: T410J BF T21 Cer C/C 1 HP 3/60/208-230/460V 3450 RPM ODP motor		
Item Number	Description	Qty Needed
12-1068-01-457	Type 21 Rotating Element .875" Buna Seal	1
1-2218-0J-543	T41 J Motor Bracket, Teflon Coated	1
2-2208-0J-543	T41 J Cover, Teflon Coated	1
17-1390-01-181	Sleeve, Shaft, Brass	1
15-1168-01-104	Setscrew, 18-8 SS	2
125-1282-01-592	Seal Seat, 0.875 Ceramic, O-Ring Style	1
22-4265-01-101	Plug, 1/8 SAE	1
135-1179-01-457	O-ring, -218 Buna Included w/ Seat	1
7-3970-01-457	O Ring, -902 Buna (Drain Plug)	1
7-2479-01-457	O Ring, -159 Buna	1
FRC-1254-51-ODP	3/4 HP 3/60/230/460V 3450 RPM ODP Bluffton [3/50/190/380--2880]	1
19-1997-01-080	Machine Bolt, 3/8-16 + 4"L	4
23-1487-01-080	Key, Sleeve	1
11-2228-0J-206	Impeller, T41J Bronze	1
23-1022-01-104	Drive Key, 316SS	1
14-1049-01-080	Drive Collar	1

3-Phase Motor Nameplate

60 HZ		50 HZ		Blank	
HP	15	1.5	FR	56C	PH 3
RPM	3450	2875	NAME	40	INS B
V	208-230/460	190-220/380-440	ENC	D P	
FLA	4.6/4.8/2.4	5.0/5.2/2.5-2.6	THE	CONT	
SF	13	1.0	ISO	M	
SFA	5.5-5.6/2.8	Blank	DATE		

Blank:

LOW VOLTAGE

HIGH VOLTAGE

WARNING - Always disconnect motor from power supply before servicing.

MOTOR CONTAINS NO THERMAL PROTECTOR - Separate over current protection must be provided to prevent burnout and possible fire hazard from overload or stalled motor.

GROUNDING - Fatal electrical shock may result if motor frame and adjacent metal are not grounded in compliance with electrical code.

241636 E49787
Made in USA



MTH PUMPS

401 West Main Street • Plano, IL 60545-1436
 Phone: 630-552-4115 • Fax: 630-552-3688
 Email: SALES@MTHPUMPS.COM
 http://WWW.MTHPUMPS.COM